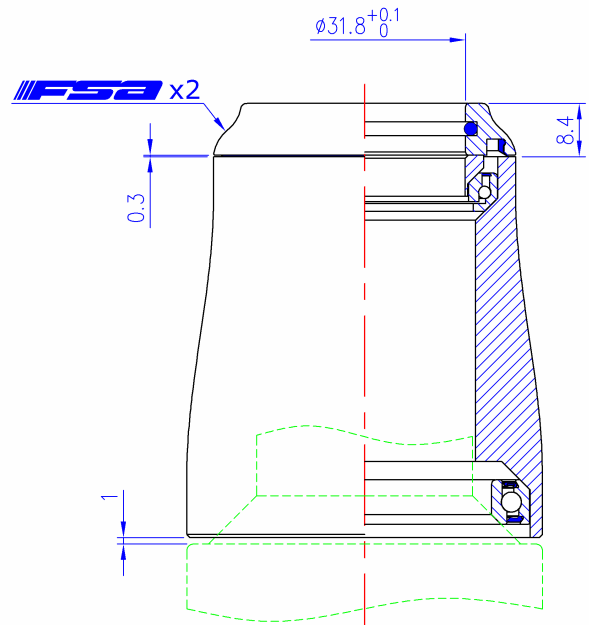
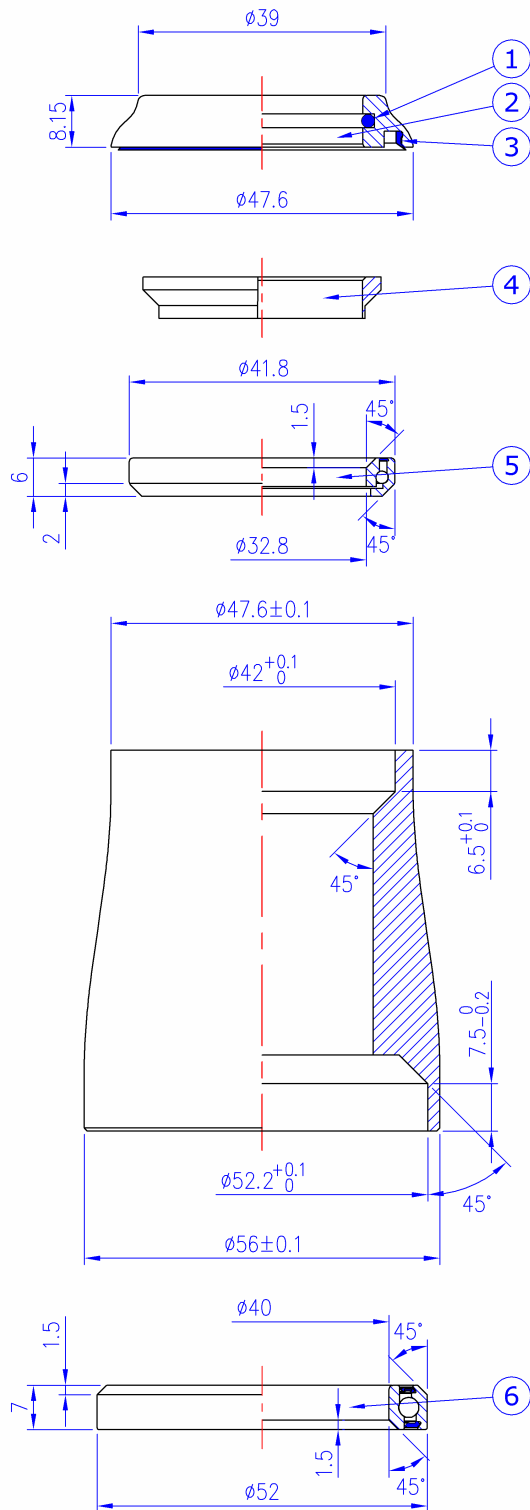


Integrated Headset (CA)

NO.54 1.5"

1-1/4" / 1.5", 45° / 45° ACB



Stack Height 8.4

- For tapered 47.6mm / 56mm OD head tube.
- For 1-1/4" to 1.5" tapered fork
- Alloy top cover
- Campy Angular Contact Bearing (Black seal)

No	Item No	Material	Qty
⑥	MR170{070E-RS}	Chrome steel	1SET
⑤	MR136	Chrome steel	1SET
④	H2289{NO.51,54-2}	Alloy	1PCS
③	MS100	Steel w/ rubber sealed	1PCS
②	H2291{NO.54-2}	Alloy	1PCS
①	MS230{NO.51}	Rubber	1PCS